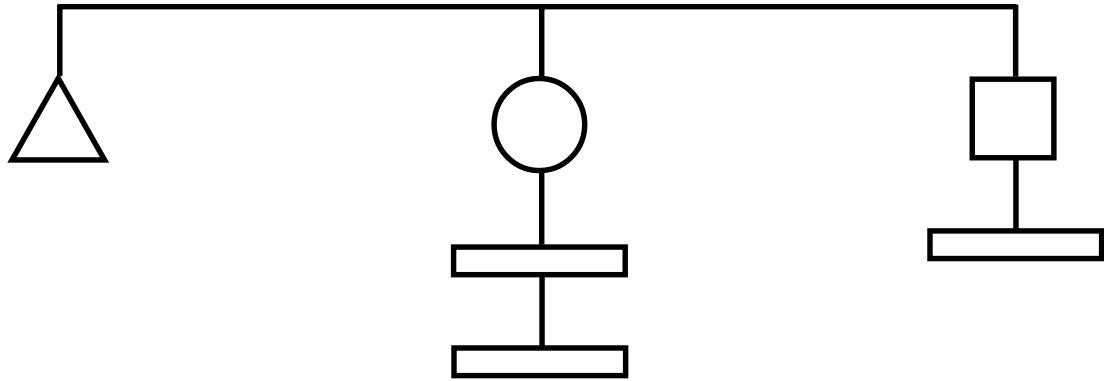


A1

Balancing Act

The total of all the weights is **12** pounds.
The same shapes have the same weights.
What are the values of each weight?

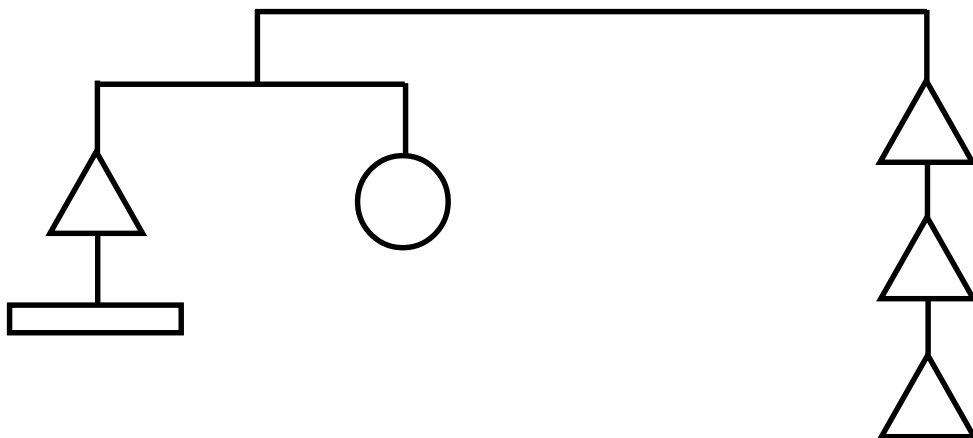


©2006 hisparks.com

A2

Balancing Act

The total of all the weights is **12** pounds.
The same shapes have the same weights.
What are the values of each weight?

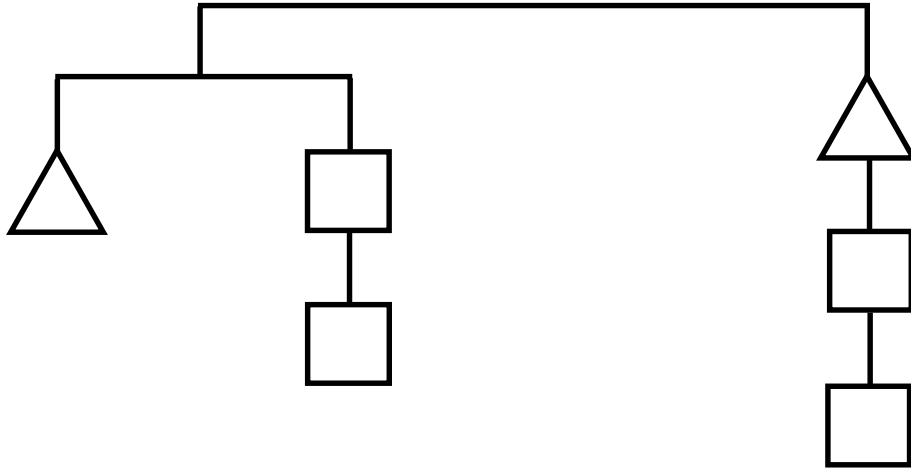


©2006 hisparks.com

A3

Balancing Act

The total of all the weights is **8** pounds.
The same shapes have the same weights.
What are the values of each weight?

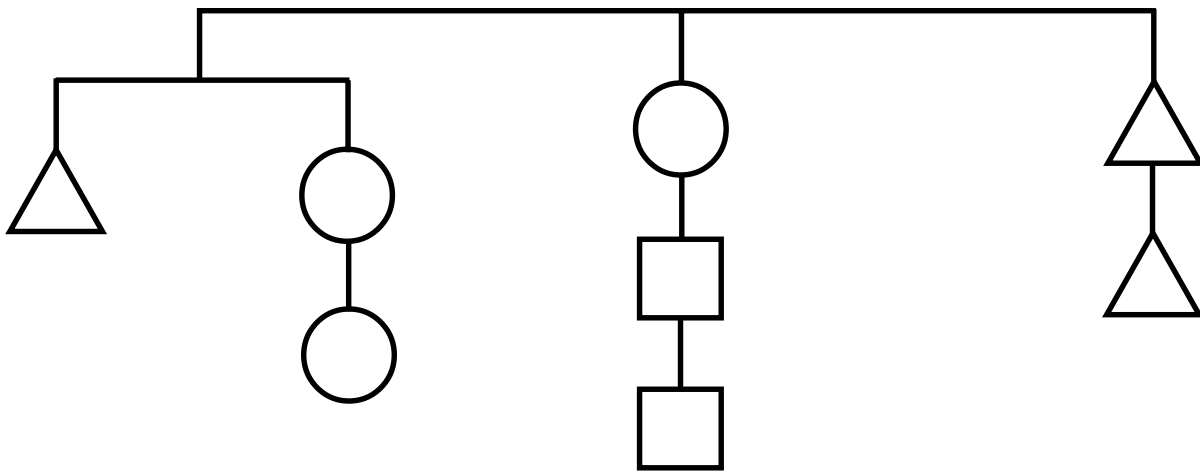


©2006 hisparks.com

A4

Balancing Act

The total of all the weights is **24** pounds.
The same shapes have the same weights.
What are the values of each weight?

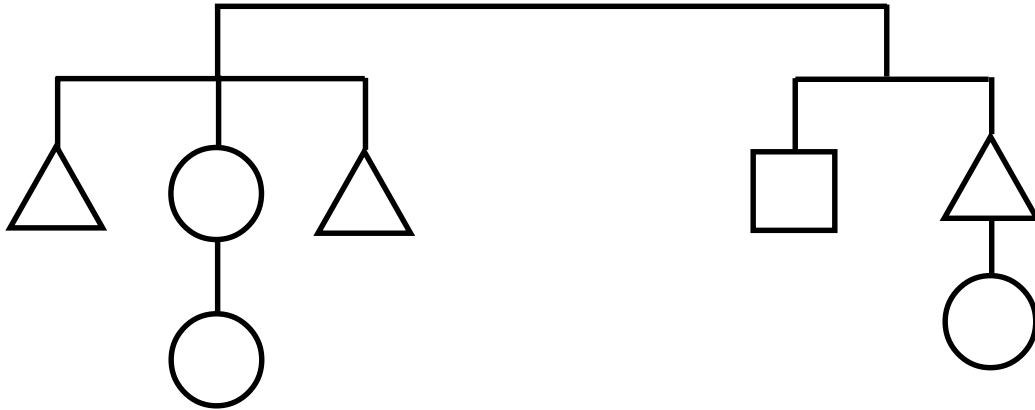


©2006 hisparks.com

B1

Balancing Act

The total of all the weights is **12** pounds.
The same shapes have the same weights.
What are the values of each weight?

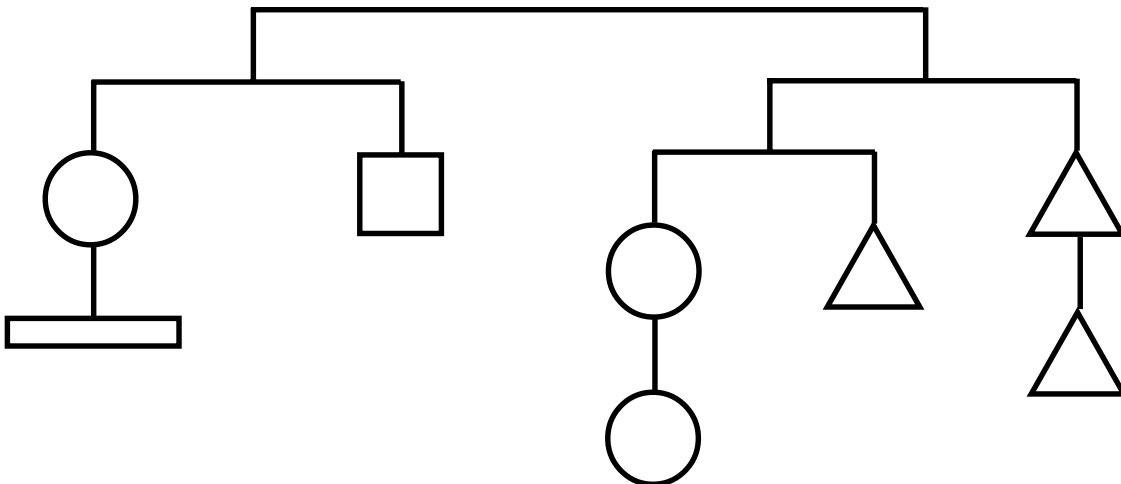


©2006 hisparks.com

B2

Balancing Act

The total of all the weights is **16** pounds.
The same shapes have the same weights.
What are the values of each weight?

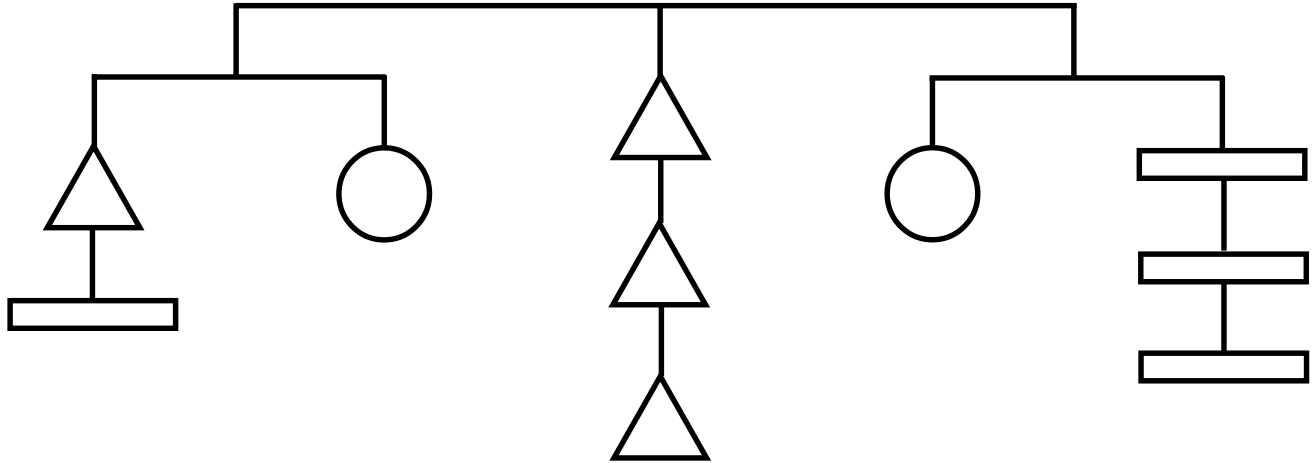


©2006 hisparks.com

B3

Balancing Act

The total of all the weights is **18** pounds.
The same shapes have the same weights.
What are the values of each weight?

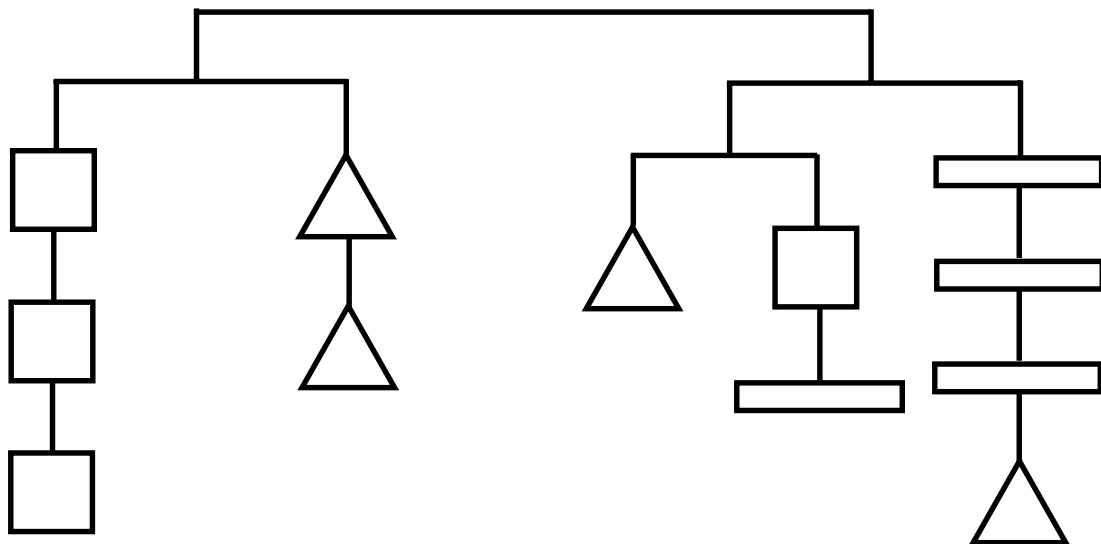


©2006 hisparks.com

B4

Balancing Act

The total of all the weights is **24** pounds.
The same shapes have the same weights.
What are the values of each weight?

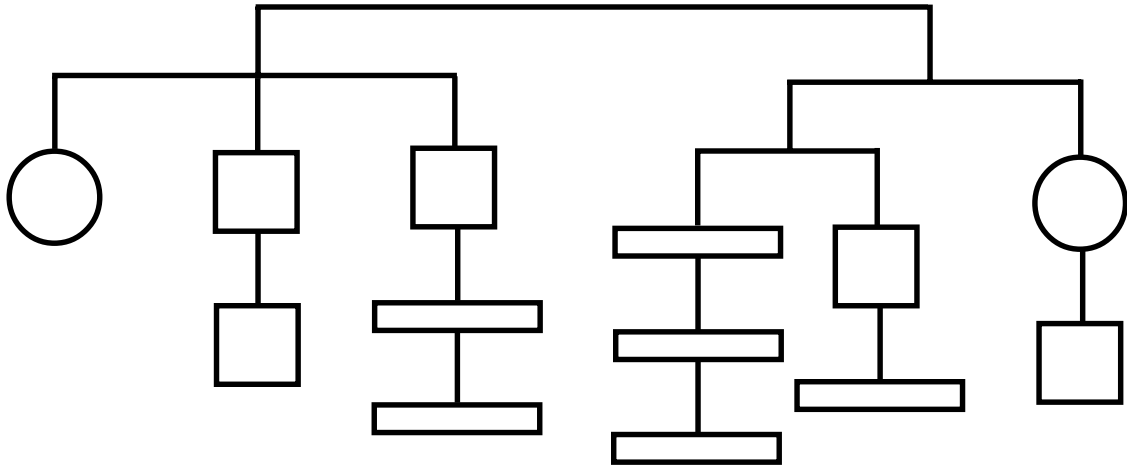


©2006 hisparks.com

C1

Balancing Act

The total of all the weights is **24** pounds.
The same shapes have the same weights.
What are the values of each weight?

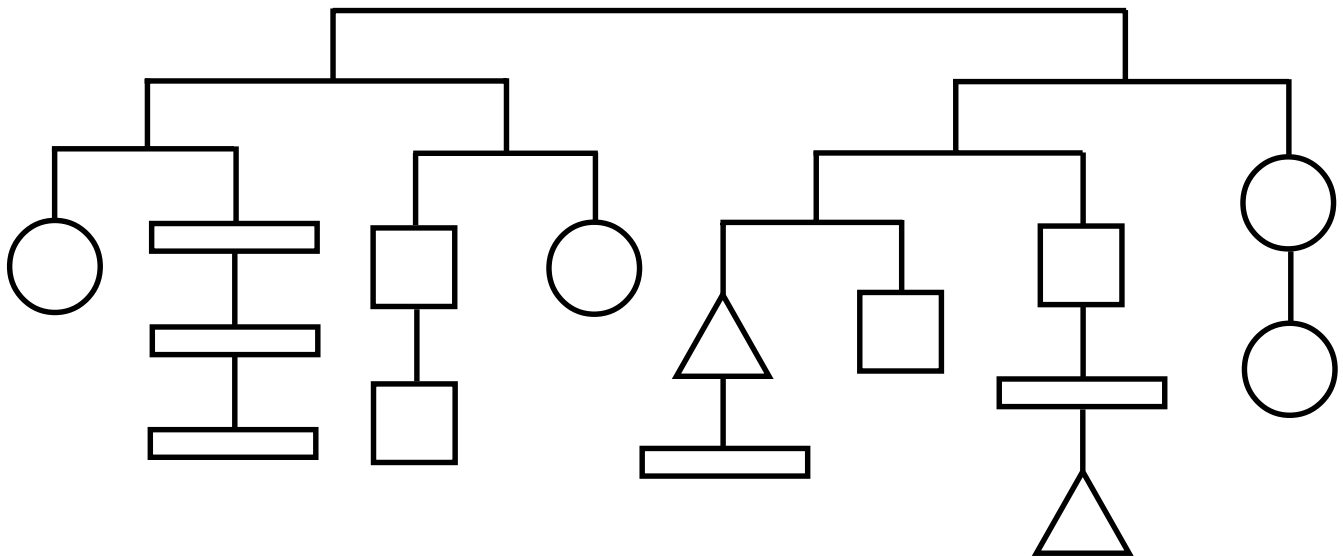


©2006 hisparks.com

C2

Balancing Act

The total of all the weights is **48** pounds.
The same shapes have the same weights.
What are the values of each weight?

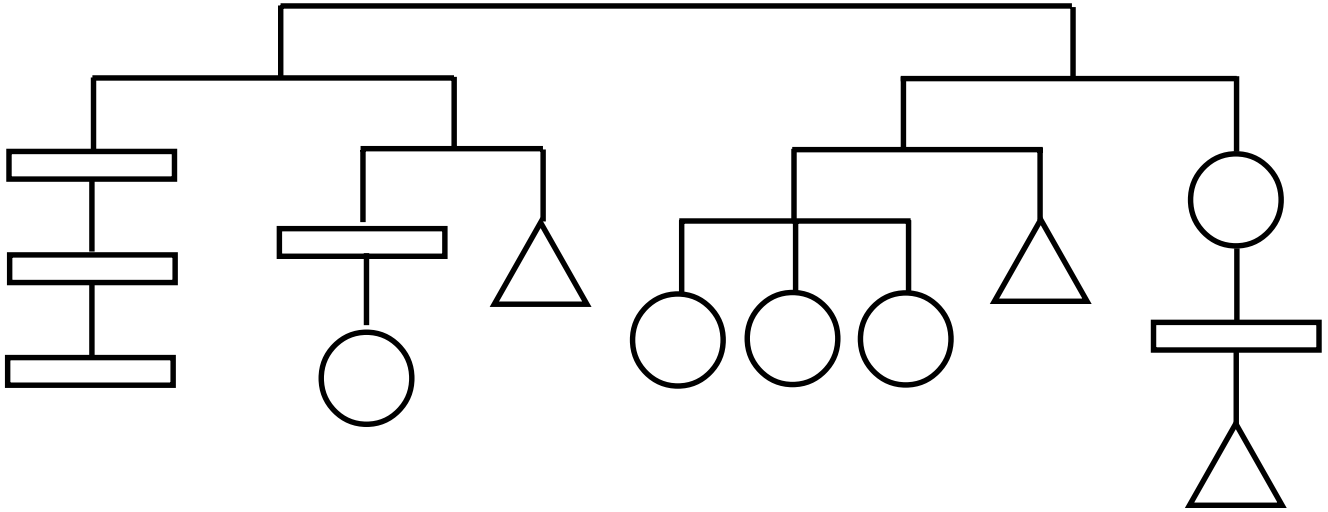


©2006 hisparks.com

C3

Balancing Act

The total of all the weights is **72** pounds.
The same shapes have the same weights.
What are the values of each weight?

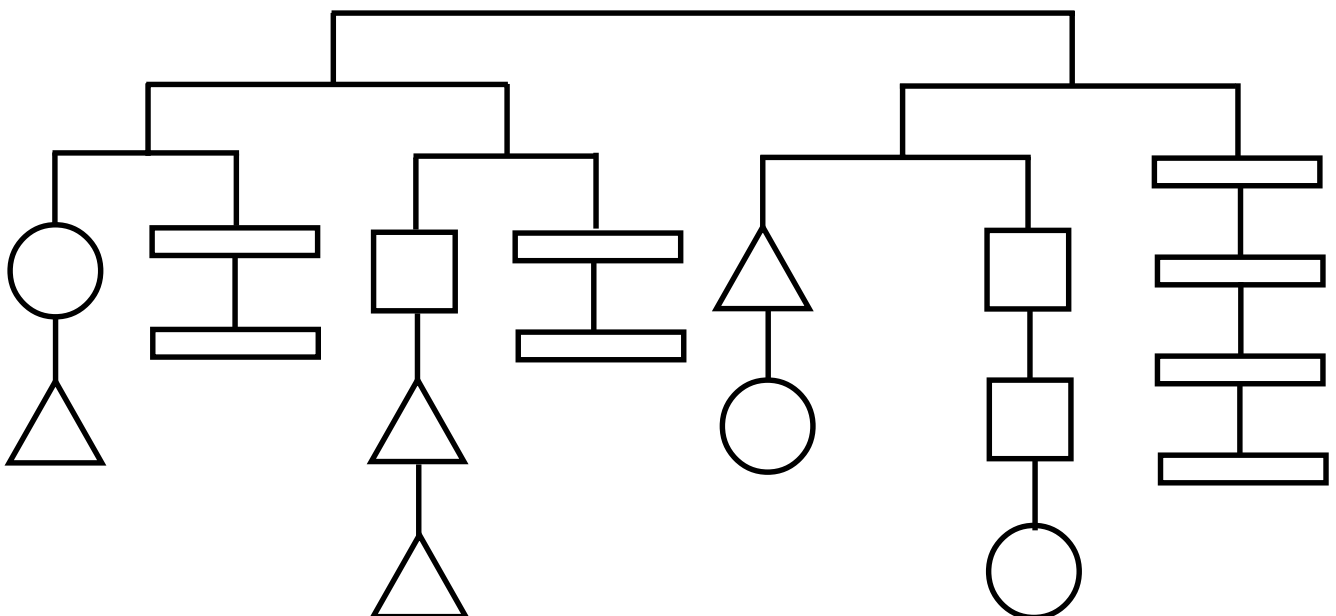


©2006 hisparks.com

C4

Balancing Act

The total of all the weights is **80** pounds.
The same shapes have the same weights.
What are the values of each weight?

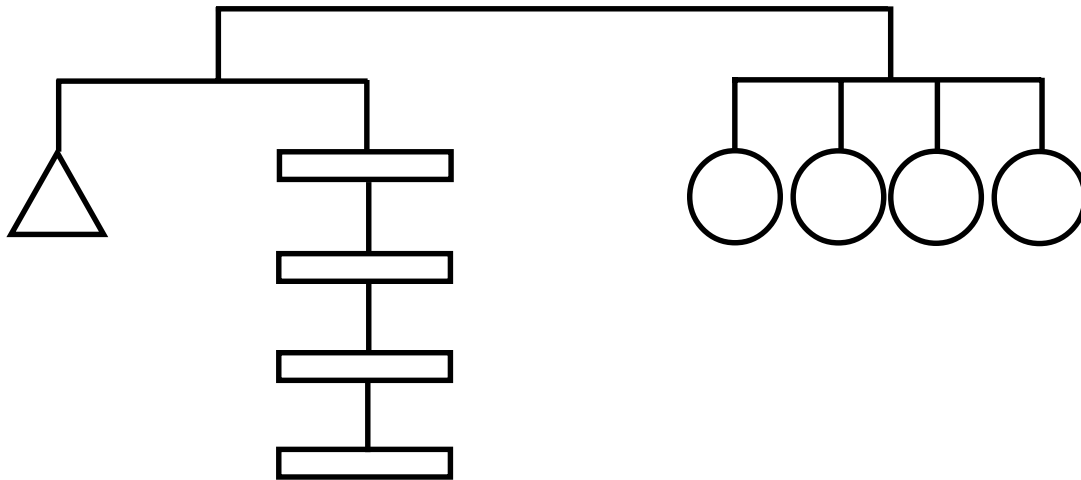


©2006 hisparks.com

D1

Balancing Act

The total of all the weights is **10.4** pounds.
The same shapes have the same weights.
What are the values of each weight?

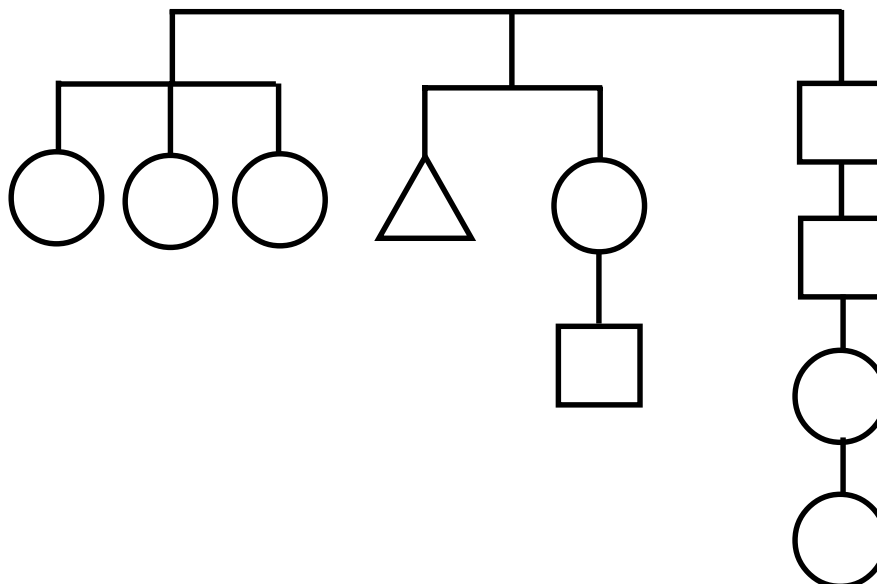


©2006 hisparks.com

D2

Balancing Act

The total of all the weights is **7.2** pounds.
The same shapes have the same weights.
What are the values of each weight?

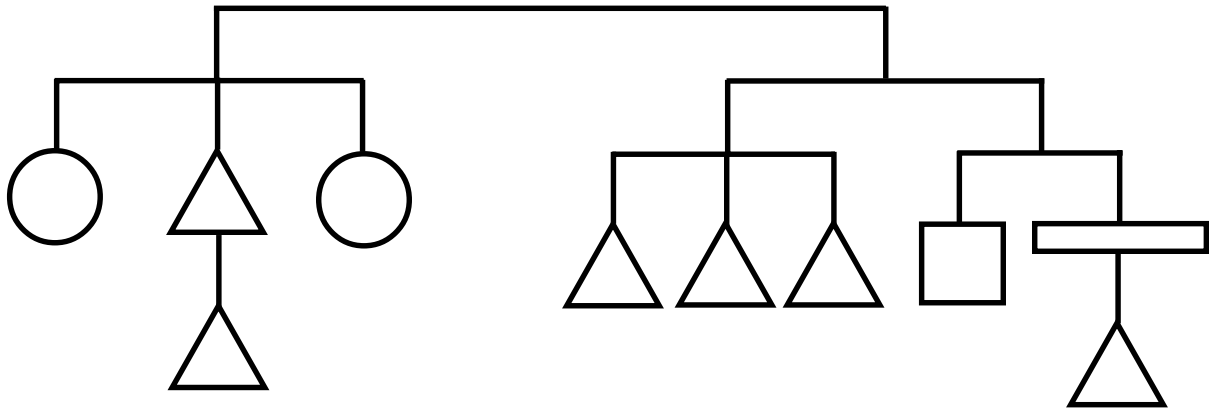


©2006 hisparks.com

D3

Balancing Act

The total of all the weights is **3.6** pounds.
The same shapes have the same weights.
What are the values of each weight?

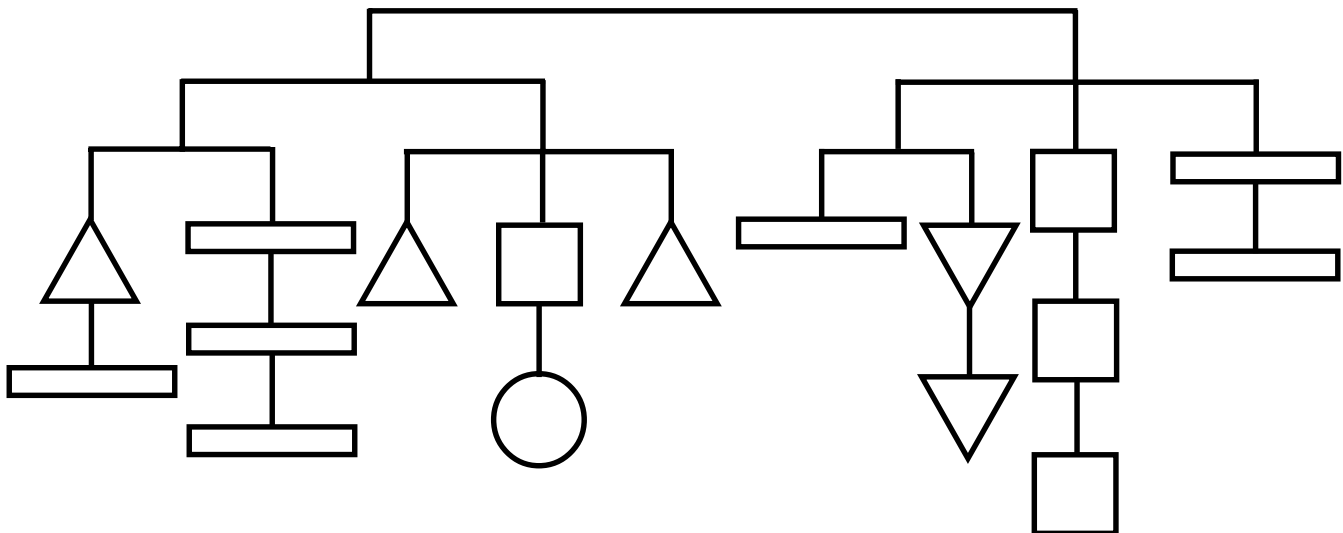


©2006 hisparks.com

D4

Balancing Act

The total of all the weights is **1.44** pounds.
The same shapes have the same weights.
What are the values of each weight?

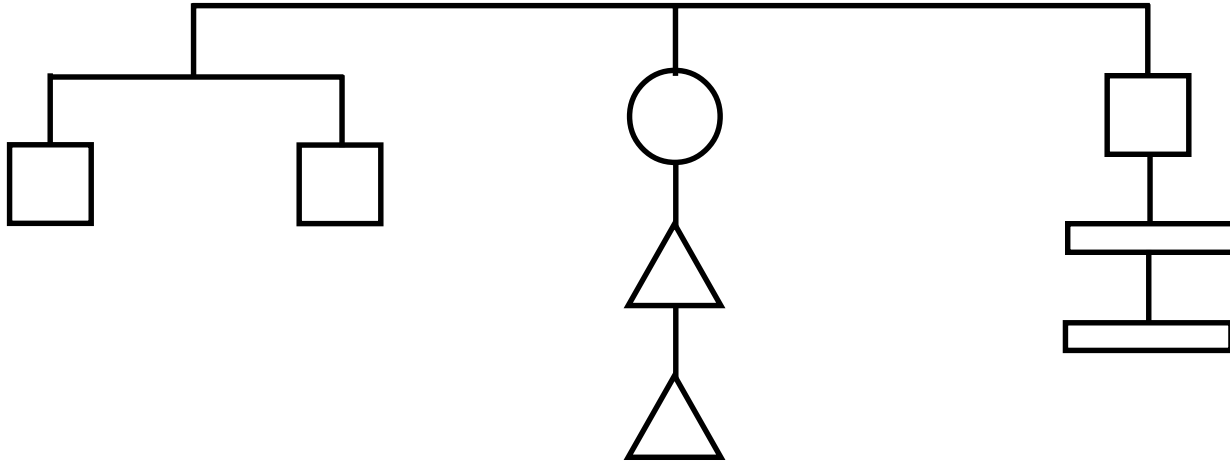


©2006 hisparks.com

E1

Balancing Act

The total of all the weights is $25\frac{2}{5}$ pounds.
The same shapes have the same weights.
What are the values of each weight?

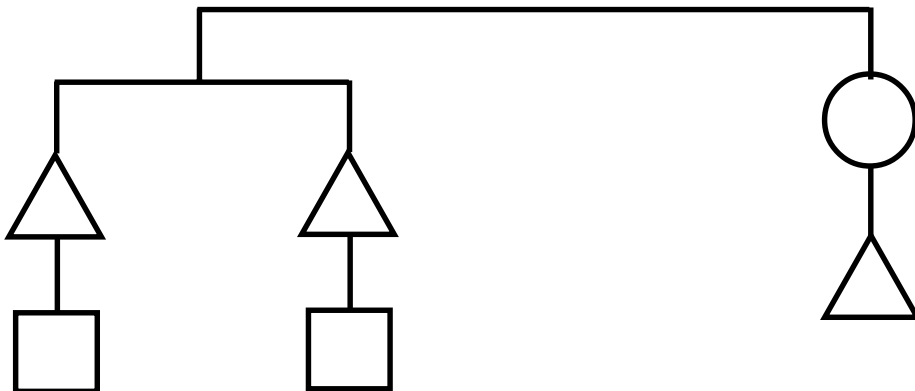


©2006 hisparks.com

E2

Balancing Act

The total of all the weights is $3\frac{1}{2}$ pounds.
The same shapes have the same weights.
What are the values of each weight?

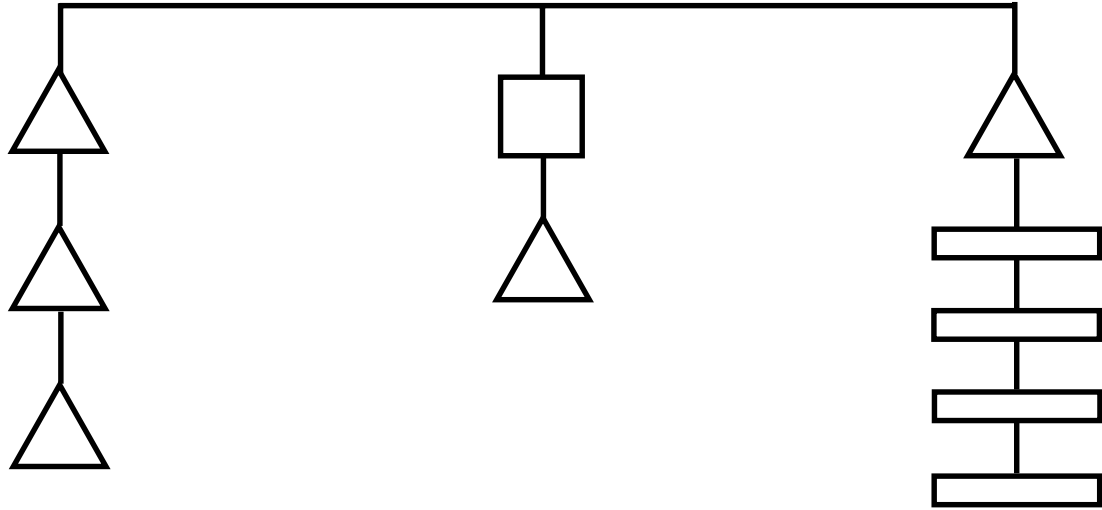


©2006 hisparks.com

E3

Balancing Act

The total of all the weights is $4\frac{1}{2}$ pounds.
The same shapes have the same weights.
What are the values of each weight?

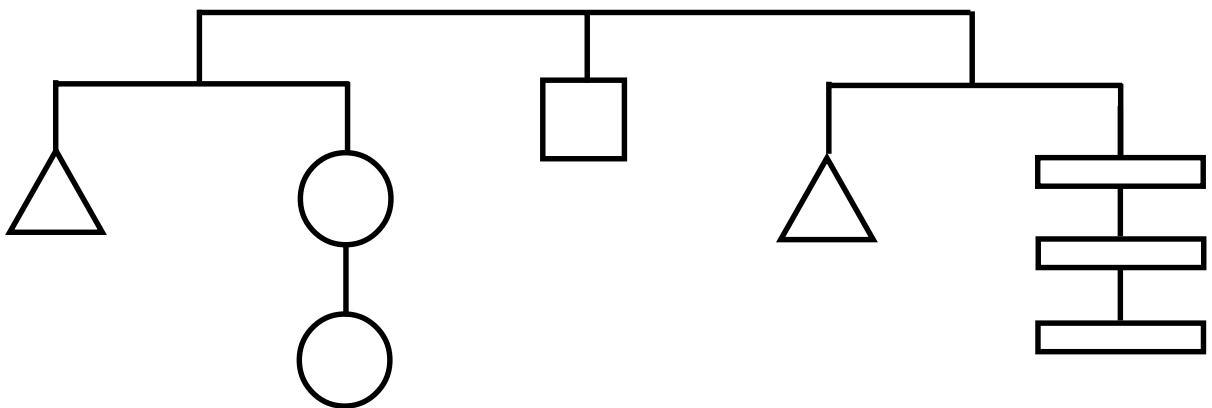


©2006 hisparks.com

E4

Balancing Act

The total of all the weights is $3\frac{3}{7}$ pounds.
The same shapes have the same weights.
What are the values of each weight?



©2006 hisparks.com